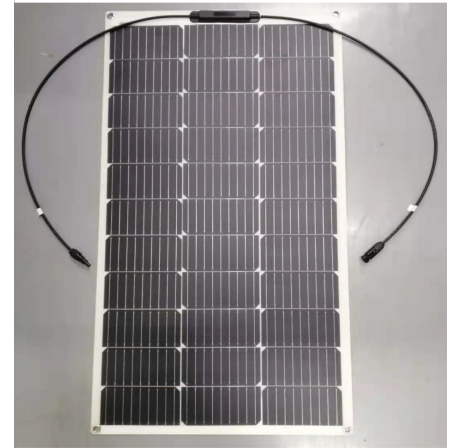


100WP FLEXIBLE SOLAR PANELS

Electrical Characteristics

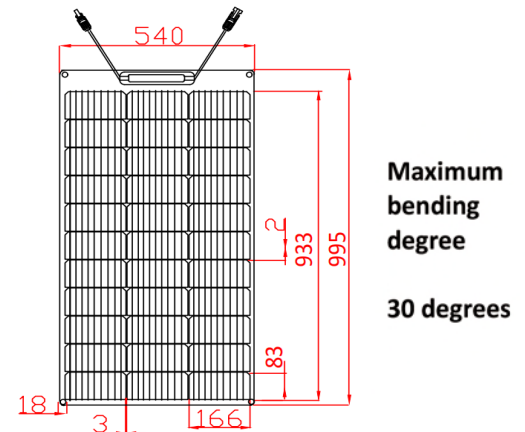
Model	FFS-100WP
Maximum Power at STC (Pmax)	100 W
Optimum Operating Voltage (Vmp)	18.2 V
Optimum Operating Current (Imp)	5.49 A
Open - Circuit Voltage (Voc)	21.5 V
Short - Circuit Current (Isc)	6.08 A
Operating Module Temperature	-20 °C to +65 °C
Maximum System Voltage	1000 V DC (IEC) / 600 V DC (UL)
Maximum Series Fuse Rating	20A

STC: Irradiance 1000 W/m2, module temperature 25 °C, AM=1.5;



Mechanical Characteristics

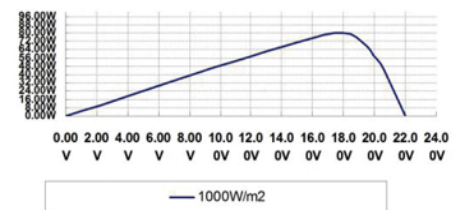
Solar Cell	MONO 9BB
No. of Cells	33 (3*11)
Dimensions	995*540*3mm
Weight	2 kg
Front Glass	Polish PET
Frame	N/A
Junction Box	IP67 rated
Output Cables	TUV (2Pfg1169:2007), UL 4703, UL 44 Optional 4.0 mm ² , symmetrical lengths(-)1000mm and (+)1000mm
Connectors	SOLAR MC4 integrated twist locking connectors



Characteristics

Lightweight	2 kg
Thickness	3mm
Maximum bending degree	30 degrees
Stainless steel grommets in the panel, easy and low cost installation	
The panel can be installed with adhesives	

P-V CURVES



I-V CURVES

